

TruGroove

Linear Recessed - Standalone

Direct Asymmetric - Drywall Trim

I T5HO



Project Name

Spec Type

Notes

Order Guide

For run lengths > 8ft. please consult the Continuous Specification Sheets.

39S8	H	I0	Q	S	4				
Product Type	Light Source	Lamps	Optics	Housing	Ceiling/Trim	Run Length	Wiring	Voltage	Ballast
39S8 TruGroove Standalone Asymmetric	H T5HO	I0 1 Lamp	Q Flush MesoOptics Lens	S Standard	4 Drywall Trim	02 2 foot 04 4 foot 08 8 foot Consult factory for other standalone options.	1 1 cct 2 2 cct 3 1 cct w/emergency 5 1 cct w/battery pack 7 1 cct dimming Consult website for complete list of standard wiring options	1 120V 2 277V 3 347V	E Program Start F Fusing

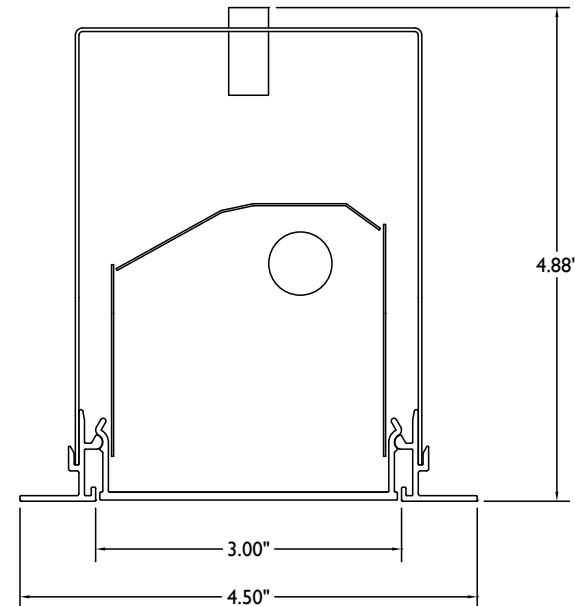
Controls and Options (please indicate with a checkmark)

<input type="checkbox"/> Response Daylight Sensor For details visit ledalite.com/response	8ft Standalone Lamping Options Selecting the Optimum Overlap option ensures continuous luminance with no socket shadows.
<input type="checkbox"/> Lamps Supplied (not installed)	
	<input type="checkbox"/> Standard Alignment - 2 x 4ft Lamps <input type="checkbox"/> Optimum Overlap - 3 x 3ft Lamps Staggered <i>(For symmetric distribution only)</i>

A Commitment to Quality

All Philips Ledalite products are carefully tested and inspected before shipment and are warranted to be free of defects in material or workmanship for a period of two years for fluorescent systems from date of shipment from our factory.

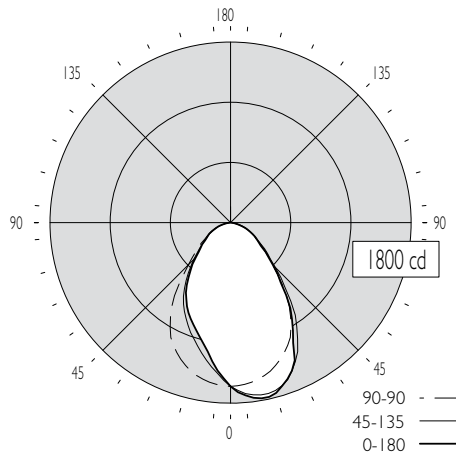
Note: Some combinations of product options may not be available.



Photometry Flush MesoOptics Lens

Report Summary

Efficiency 64.2% **Report No.** 9902696 **Filename** 39S8H10Qxx04
Efficacy 55.7 lm/W **Ballast Factor** 1 **Testing Voltage** 120V
Total Lumens 2891 lm



0.0% Up / 100.0% Down

Candela Distribution

Vertical Angle	Horizontal Angle					Zonal Lumens
	0	45	90	135	180	
0	1633	1633	1633	1633	1633	
5	1729	1711	1618	1507	1481	153
15	1758	1732	1533	1272	1182	425
25	1514	1528	1349	1051	992	597
35	1039	1125	1021	801	761	603
45	598	630	594	519	490	456
55	342	364	357	320	310	316
65	214	220	211	207	206	214
75	90	98	99	97	98	107
85	13	12	12	15	17	20
90	0	0	0	0	0	0
95	0	0	0	0	0	0
105	0	0	0	0	0	0
115	0	0	0	0	0	0
125	0	0	0	0	0	0
135	0	0	0	0	0	0
145	0	0	0	0	0	0
155	0	0	0	0	0	0
165	0	0	0	0	0	0
175	0	0	0	0	0	0
180	0	0	0	0	0	0

Coefficients of Utilization (%)

RCR	Ceiling: 80				70				50				0
	70	50	30	10	70	50	30	10	50	30	10	0	0
0	76	76	76	76	75	75	75	75	71	71	71	64	
1	71	69	66	64	69	67	65	64	63	61	56		
2	66	61	58	54	64	60	57	58	55	53	49		
3	61	55	51	47	59	54	50	52	49	46	43		
4	56	50	45	41	55	49	44	47	43	40	38		
5	52	45	40	36	51	45	40	43	39	36	34		
6	49	41	36	33	48	41	36	40	35	32	30		
7	46	38	33	29	45	37	33	36	32	29	28		
8	43	35	30	27	42	35	30	34	29	26	25		
9	40	32	28	24	39	32	27	31	27	24	23		
10	38	30	26	22	37	30	25	29	25	22	21		

Based on a floor reflectance of 0.2

IES files for this and other photometric options can be downloaded online at ledalite.com

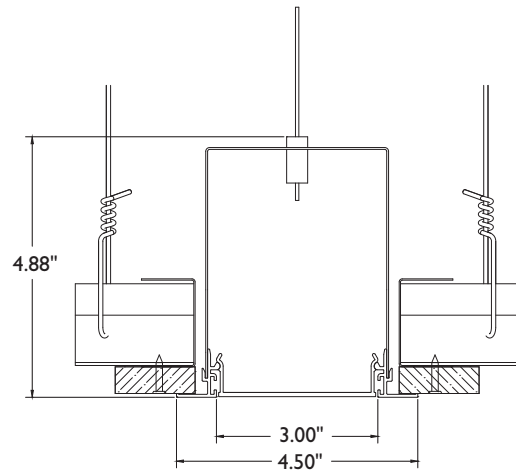
Avg. Luminance (cd/m²)

Vertical Angle	Horizontal Angle		
	0	90	180
55	6552	6839	5939
65	5564	5486	5356
75	3821	4203	4161
85	1639	1513	2143

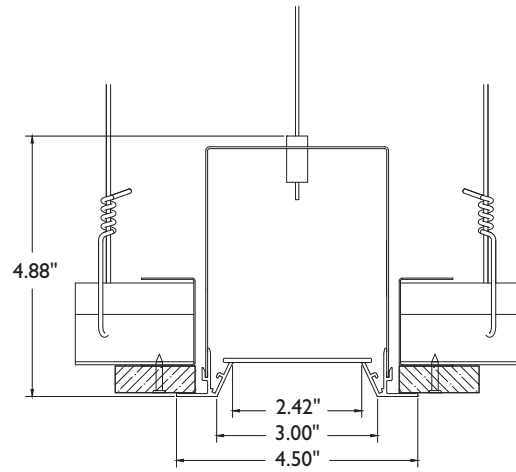
View all 2ft Standalone Photometry at: ledalite.com/trugroove2ft

Dimensions & Details

DRYWALL TRIM



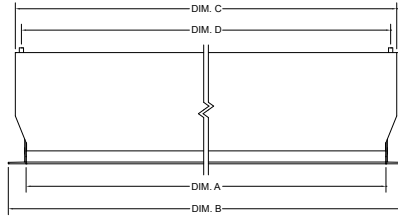
Flush Lens, Trim



Regressed Lens, Trim

Configurations

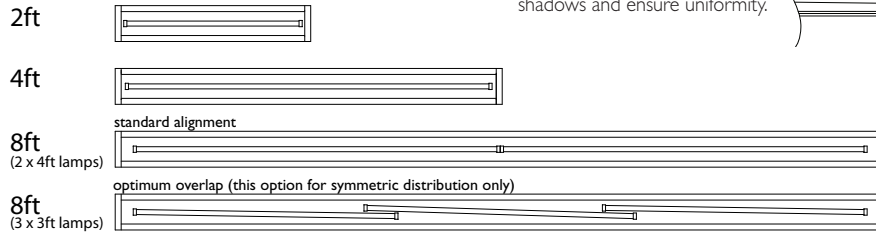
SIDEVIEW DIMENSIONS



NOMINAL LENGTH	DIM. A	DIM. B	DIM. C	DIM. D
	LUMINAIRE APERTURE	OVERALL TRIM	OVERALL HOUSING	MOUNTING DIMENSIONS
2 FT	23.00" / 584mm	24.50" / 622mm	23.91" / 607mm	23.40" / 594mm
4 FT	47.00" / 1194mm	48.50" / 1232mm	47.91" / 1217mm	47.40" / 1204mm
8 FT	95.00" / 2413mm	96.50" / 2451mm	95.91" / 2436mm	95.40" / 2423mm

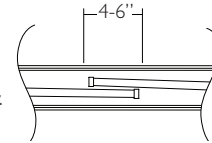
STANDALONE BOTTOMVIEWS

TruGroove standalone fixtures are available in nominal 2', 4' and 8' lengths. Dimensions for standard nominal lengths are indicated above. To specify continuous runs, see the TruGroove Continuous Specification Sheets for fluorescent or LED.



Optimum Overlap Design

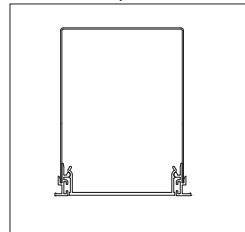
Lamps are spaced with 4" to 6" overlap to eliminate socket shadows and ensure uniformity.



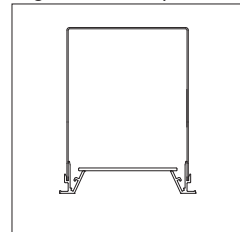
MesoOptics LENS OPTIONS

Two lens options are available with most TruGroove configurations— a Flush or a Regressed MesoOptics acrylic lens.

Flush MesoOptics Lens



Regressed MesoOptics Lens



Not available in asymmetric configurations

Specifications

Due to continuing product improvements, Philips Ledalite reserves the right to change specifications without notice.

Housing

Die-formed 20 gauge cold rolled steel with aluminum trim. Multiple wire entrances are available on top to allow continuous row mounting of fixtures.

Optical System

The optical lens assembly consists of acrylic extrusion profiles holding a layer of MesoOptics which efficiently controls high angle glare. The reflector system comprises Miro Silver reflectors optimized to work with MesoOptics to simultaneously homogenize light while creating a batwing distribution in the lower hemisphere.

Weight

Maximum 3.5lb/ft

Mounting

Mounting brackets on side of housing supports t-bar installation. 1/16" diameter aircraft cable with self-locking, tamper-resistant, miniature cable gripper provides vertical adjustment for drywall. Aircraft cable, crimp and cable gripper independently tested to meet stringent safety requirements.

Electrical

Factory pre-wired to section ends with quick-wire connectors.

Ballast

Electronic. Supplied with factory pre-installed ballast disconnects as per electrical codes.

Approvals

Certified to UL, IES & CSA Standards.

Finish

Extruded aluminum trim and die-cast endplates coated with electrostatically applied and thermally cured polyester powder coat paint finish. Other custom colors are available; consult factory for details.

Environment

Rated for dry or damp locations in operating ambient temperatures of 0-40°C (32-104°F).

