

TruGroove

Linear Recessed - Standalone

Direct Asymmetric - Drywall Trimless

I T5



Project Name

Spec Type

Notes

Order Guide

For run lengths > 8ft. please consult the Continuous Specification Sheets.

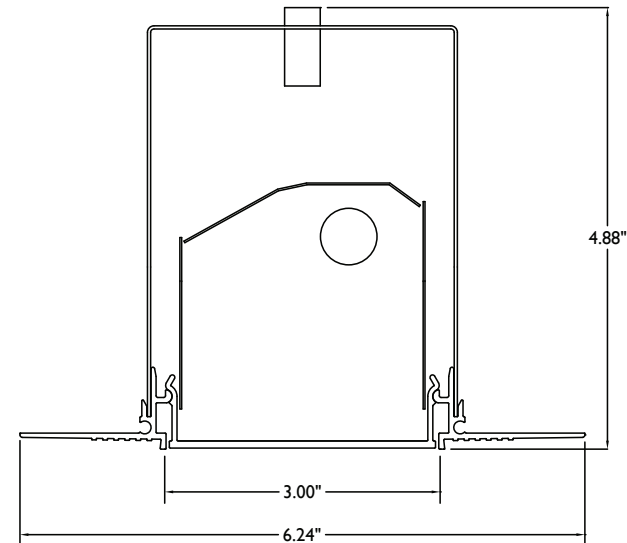
39S8	F	I0	Q	S	3				
Product Type	Light Source	Lamps	Optics	Housing	Ceiling/Trim	Run Length	Wiring	Voltage	Ballast
39S8 TruGroove Standalone Asymmetric	F T5	I0 1 Lamp	Q Flush MesoOptics Lens	S Standard	3 Drywall Trimless	02 2 foot 04 4 foot 08 8 foot Consult factory for other standalone options.	1 1 cct 2 2 cct 3 1 cct w/emergency 5 1 cct w/battery pack 7 1 cct dimming Consult website for complete list of standard wiring options	1 120V 2 277V 3 347V	E Program Start F Fusing

Controls and Options (please indicate with a checkmark)

<input type="checkbox"/> Response Daylight Sensor For details visit ledalite.com/response	8ft Standalone Lamping Options Selecting the Optimum Overlap option ensures continuous luminance with no socket shadows.
<input type="checkbox"/> Lamps Supplied (not installed)	
	<input type="checkbox"/> Standard Alignment - 2 x 4ft Lamps <input type="checkbox"/> Optimum Overlap - 3 x 3ft Lamps Staggered (For symmetric distribution only)

A Commitment to Quality

All Philips Ledalite products are carefully tested and inspected before shipment and are warranted to be free of defects in material or workmanship for a period of two years for fluorescent systems from date of shipment from our factory.



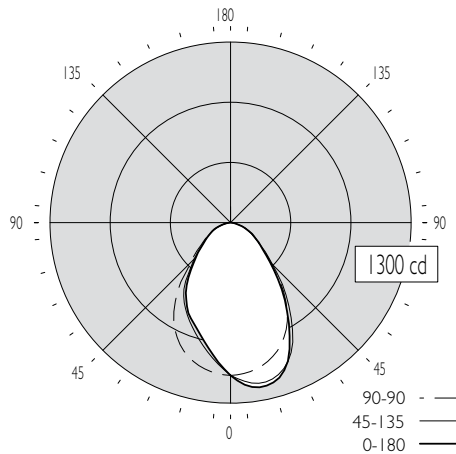
Note: Some combinations of product options may not be available.



Photometry Flush MesoOptics Lens

Report Summary

Efficiency 76.2% **Report No.** 9902688 **Filename** 39S8F10Qxx04
Efficacy 65.8 lm/W **Ballast Factor** 1 **Testing Voltage** 120V
Total Lumens 1982 lm



0.0% Up / 100.0% Down

Candela Distribution

Vertical Angle	Horizontal Angle					Zonal Lumens
	0	45	90	135	180	
0	1100	1100	1100	1100	1100	
5	1172	1146	1091	1023	1009	103
15	1191	1165	1034	872	837	288
25	1005	1032	911	735	719	409
35	682	732	694	586	551	415
45	401	428	406	373	351	315
55	246	244	240	224	222	218
65	146	147	146	139	145	147
75	57	65	67	66	65	73
85	11	8	10	9	11	14
90	0	0	0	0	0	0
95	0	0	0	0	0	0
105	0	0	0	0	0	0
115	0	0	0	0	0	0
125	0	0	0	0	0	0
135	0	0	0	0	0	0
145	0	0	0	0	0	0
155	0	0	0	0	0	0
165	0	0	0	0	0	0
175	0	0	0	0	0	0
180	0	0	0	0	0	0

Coefficients of Utilization (%)

RCR	Ceiling: 80				70				50				0
	70	50	30	10	70	50	30	10	50	30	10	0	
0	91	91	91	91	89	89	89	85	85	85	76		
1	84	81	79	76	82	80	77	76	74	73	67		
2	78	73	68	65	76	71	67	69	65	62	58		
3	72	65	60	56	70	64	59	62	58	54	51		
4	67	59	53	49	65	58	53	56	51	48	45		
5	62	54	48	43	61	53	47	51	46	42	40		
6	58	49	43	39	57	48	43	47	42	38	36		
7	54	45	39	35	53	44	39	43	38	34	33		
8	51	41	36	32	50	41	35	40	35	31	30		
9	48	38	33	29	47	38	32	37	32	29	27		
10	45	36	30	26	44	35	30	35	30	26	25		

Based on a floor reflectance of 0.2

IES files for this and other photometric options can be downloaded online at ledalite.com

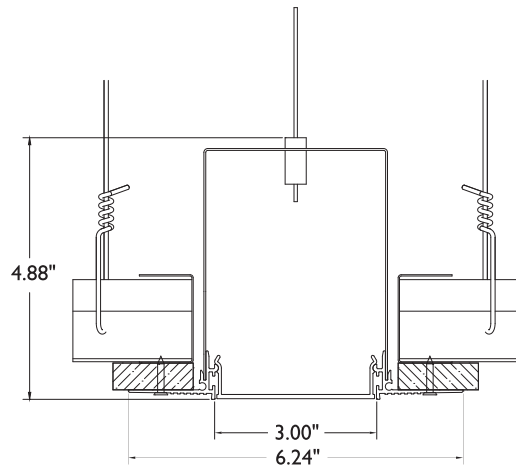
Avg. Luminance (cd/m²)

Vertical Angle	Horizontal Angle		
	0	90	180
55	4713	4598	4253
65	3796	3796	3770
75	2420	2845	2760
85	1387	1261	1387

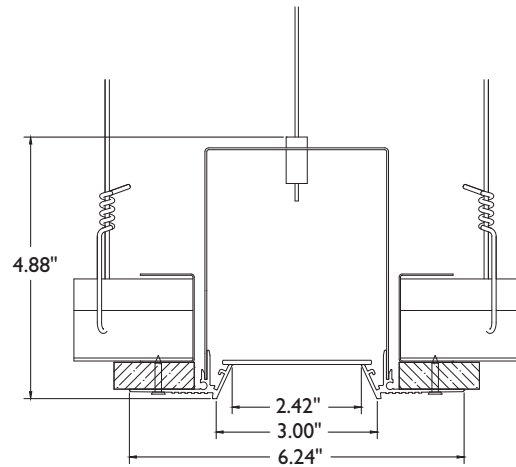
View all 2ft Standalone Photometry at: ledalite.com/trugroove2ft

Dimensions & Details

DRYWALL TRIMLESS



Flush Lens, Trimless



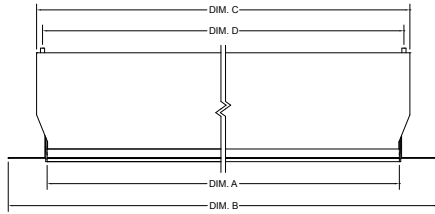
Regressed Lens, Trimless

TruGroove

Linear Recessed - Standalone • Direct Asymmetric - Drywall Trimless • I T5

Configurations

SIDEVIEW DIMENSIONS



NOMINAL LENGTH	DIM. A	DIM. B	DIM. C	DIM. D
	LUMINAIRE APERTURE	OVERALL TRIM	OVERALL HOUSING	MOUNTING DIMENSIONS
2 FT	23.00" / 584mm	26.35" / 669mm	23.91" / 607mm	23.40" / 594mm
4 FT	47.00" / 1194mm	50.35" / 1279mm	47.91" / 1217mm	47.40" / 1204mm
8 FT	95.00" / 2413mm	98.35" / 2498mm	95.91" / 2436mm	95.40" / 2423mm

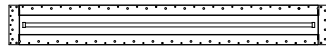
STANDALONE BOTTOMVIEWS

TruGroove standalone fixtures are available in nominal 2', 4' and 8' lengths. Dimensions for standard nominal lengths are indicated above. To specify continuous runs, see the TruGroove Continuous Specification Sheets for fluorescent or LED.

2ft

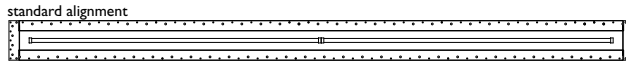


4ft



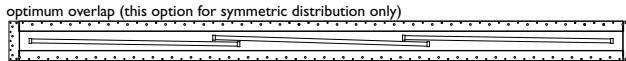
8ft

(2 x 4ft lamps)



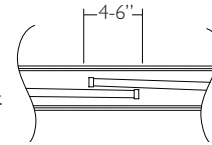
8ft

(3 x 3ft lamps)



Optimum Overlap Design

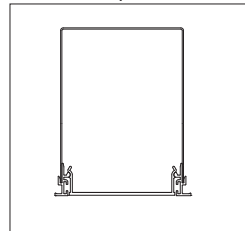
Lamps are spaced with 4" to 6" overlap to eliminate socket shadows and ensure uniformity.



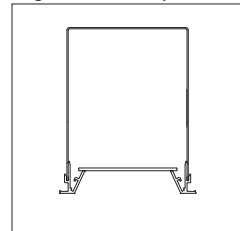
MesoOptics LENS OPTIONS

Two lens options are available with most TruGroove configurations— a Flush or a Regressed MesoOptics acrylic lens.

Flush MesoOptics Lens



Regressed MesoOptics Lens



Not available in asymmetric configurations

Specifications

Due to continuing product improvements, Philips Ledalite reserves the right to change specifications without notice.

Housing

Die-formed 20 gauge cold rolled steel with aluminum trim. Multiple wire entrances are available on top to allow continuous row mounting of fixtures.

Optical System

The optical lens assembly consists of acrylic extrusion profiles holding a layer of MesoOptics which efficiently controls high angle glare. The reflector system comprises Miro Silver reflectors optimized to work with MesoOptics to simultaneously homogenize light while creating a batwing distribution in the lower hemisphere.

Weight

Maximum 3.5lb/ft

Mounting

Mounting brackets on side of housing supports t-bar installation. 1/16" diameter aircraft cable with self-locking, tamper-resistant, miniature cable gripper provides vertical adjustment for drywall. Aircraft cable, crimp and cable gripper independently tested to meet stringent safety requirements.

Electrical

Factory pre-wired to section ends with quick-wire connectors.

Ballast

Electronic. Supplied with factory pre-installed ballast disconnects as per electrical codes.

Approvals

Certified to UL, IES & CSA Standards.

Finish

Extruded aluminum trim and die-cast endplates coated with electrostatically applied and thermally cured polyester powder coat paint finish. Other custom colors are available; consult factory for details.

Environment

Rated for dry or damp locations in operating ambient temperatures of 0-40°C (32-104°F).

