

TruGroove

Linear Recessed - Standalone

Direct Symmetric - Drywall Trimless

I T5



Project Name

Spec Type

Notes

Order Guide

For run lengths > 8ft. please consult the Continuous Specification Sheets.

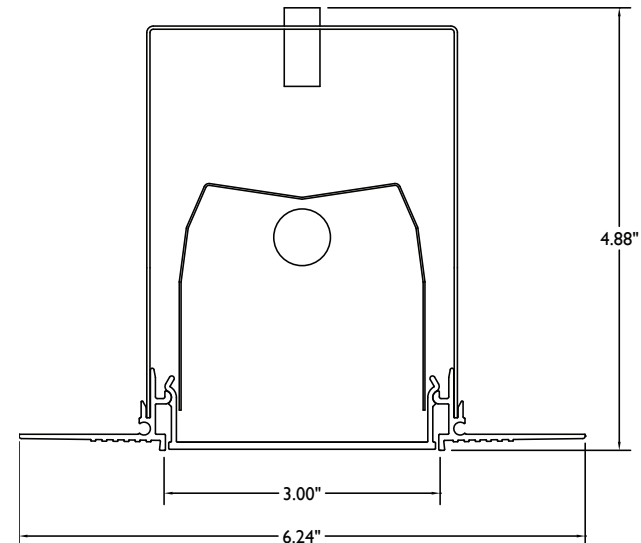
39SI	F	I0	Q	S	3				
Product Type	Light Source	Lamps	Optics	Housing	Ceiling/Trim	Run Length	Wiring	Voltage	Ballast
39SI TruGroove Standalone Symmetric	F T5	I0 1 Lamp	Q Flush MesoOptics Lens	S Standard	3 Drywall Trimless	02 2 foot 04 4 foot 08 8 foot Consult factory for other standalone options.	1 1 cct 2 2 cct 3 1 cct w/emergency 5 1 cct w/battery pack 7 1 cct dimming Consult website for complete list of standard wiring options	1 120V 2 277V 3 347V	E Program Start F Fusing

Controls and Options (please indicate with a checkmark)

<input type="checkbox"/> Response Daylight Sensor For details visit ledalite.com/response	8ft Standalone Lamping Options Selecting the Optimum Overlap option ensures continuous luminance with no socket shadows.
<input type="checkbox"/> Lamps Supplied (not installed)	
	<input type="checkbox"/> Standard Alignment - 2 x 4ft Lamps <input type="checkbox"/> Optimum Overlap - 3 x 3ft Lamps Staggered (For symmetric distribution only)

A Commitment to Quality

All Philips Ledalite products are carefully tested and inspected before shipment and are warranted to be free of defects in material or workmanship for a period of two years for fluorescent systems from date of shipment from our factory.



Note: Some combinations of product options may not be available.



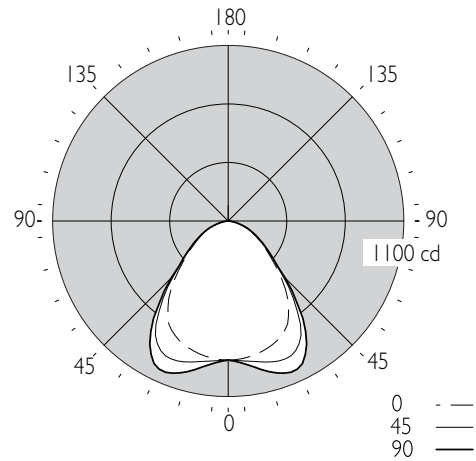
Photometry Flush MesoOptics Lens

Report Summary

Efficiency 82.7%
Efficacy 70.9 lm/W
Total Lumens 2149 lm

Report No. 9902690
Ballast Factor 1

Filename 39SIF10Qxx04
Testing Voltage 120V



0.0% Up / 100.0% Down

Candela Distribution

Vertical Angle	Horizontal Angle					Zonal Lumens
	0	22.5	45	67.5	90	
0	872	872	872	872	872	
5	868	870	879	882	891	84
15	842	866	915	950	977	258
25	790	846	932	1002	1024	423
35	658	726	789	860	846	482
45	441	464	481	522	505	378
55	268	283	281	298	286	257
65	161	169	167	176	168	168
75	75	80	75	81	73	83
85	10	13	10	14	11	16
90	0	0	0	0	0	
95	0	0	0	0	0	
105	0	0	0	0	0	
115	0	0	0	0	0	
125	0	0	0	0	0	
135	0	0	0	0	0	
145	0	0	0	0	0	
155	0	0	0	0	0	
165	0	0	0	0	0	
175	0	0	0	0	0	
180	0	0	0	0	0	

Coefficients of Utilization (%)

RCR	Ceiling: 80				70				50				0
	70	50	30	10	70	50	30	10	50	30	10	0	
0	98	98	98	98	96	96	96	92	92	92	83		
1	91	88	85	82	89	86	83	83	80	78	72		
2	84	78	73	69	82	77	72	74	70	67	62		
3	78	70	64	59	76	69	63	66	61	58	54		
4	72	63	56	51	70	62	56	60	54	50	47		
5	66	57	50	45	65	56	49	54	48	44	42		
6	62	51	45	40	60	51	44	49	44	39	37		
7	57	47	40	36	56	46	40	45	39	35	33		
8	54	43	37	32	52	43	36	41	36	32	30		
9	50	40	33	29	49	39	33	38	33	29	27		
10	47	37	31	26	46	36	30	36	30	26	25		

Based on a floor reflectance of 0.2

IES files for this and other photometric options can be downloaded online at ledalite.com

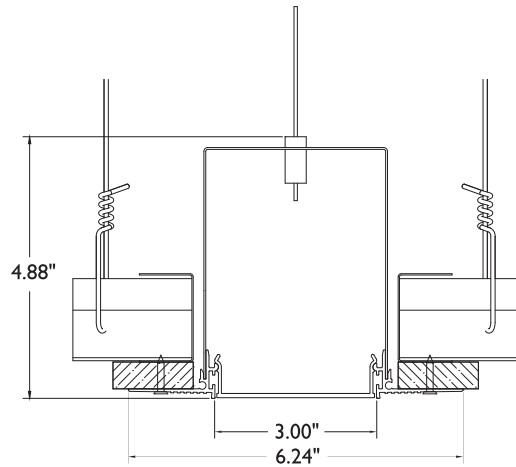
Avg. Luminance (cd/m²)

Vertical Angle	Horizontal Angle		
	0	45	90
55	5134	5383	5479
65	4186	4342	4368
75	3184	3184	3099
85	1261	1261	1387

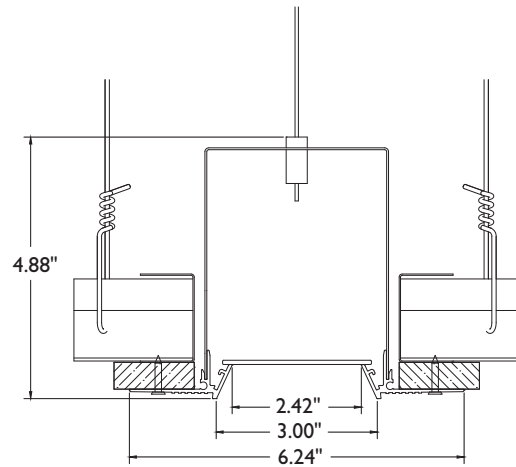
View all 2ft Standalone Photometry at: ledalite.com/trugroove2ft

Dimensions & Details

DRYWALL TRIMLESS



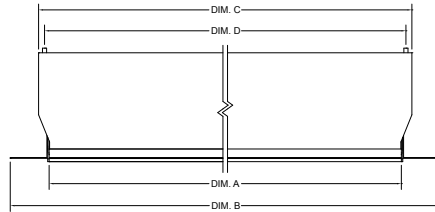
Flush Lens, Trimless



Regressed Lens, Trimless

Configurations

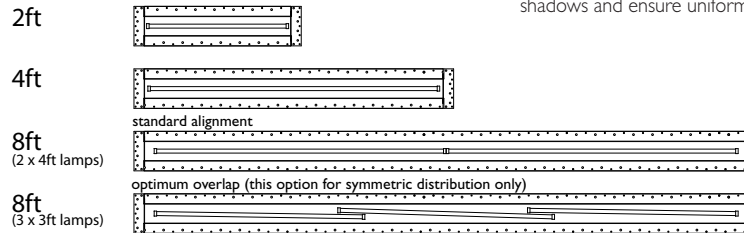
SIDEVIEW DIMENSIONS



NOMINAL LENGTH	DIM. A	DIM. B	DIM. C	DIM. D
	LUMINAIRE APERTURE	OVERALL TRIM	OVERALL HOUSING	MOUNTING DIMENSIONS
2 FT	23.00" / 584mm	26.35" / 669mm	23.91" / 607mm	23.40" / 594mm
4 FT	47.00" / 1194mm	50.35" / 1279mm	47.91" / 1217mm	47.40" / 1204mm
8 FT	95.00" / 2413mm	98.35" / 2498mm	95.91" / 2436mm	95.40" / 2423mm

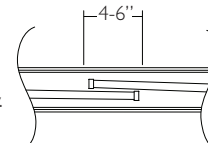
STANDALONE BOTTOMVIEWS

TruGroove standalone fixtures are available in nominal 2', 4' and 8' lengths. Dimensions for standard nominal lengths are indicated above. To specify continuous runs, see the TruGroove Continuous Specification Sheets for fluorescent or LED.



Optimum Overlap Design

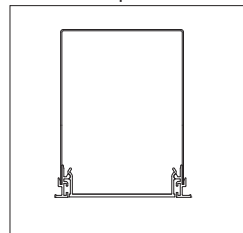
Lamps are spaced with 4" to 6" overlap to eliminate socket shadows and ensure uniformity.



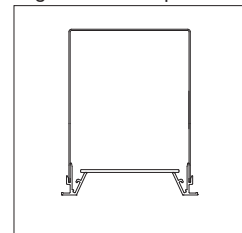
MesoOptics LENS OPTIONS

Two lens options are available with most TruGroove configurations— a Flush or a Regressed MesoOptics acrylic lens.

Flush MesoOptics Lens



Regressed MesoOptics Lens



Not available in asymmetric configurations

Specifications

Due to continuing product improvements, Philips Ledalite reserves the right to change specifications without notice.

Housing

Die-formed 20 gauge cold rolled steel with aluminum trim. Multiple wire entrances are available on top to allow continuous row mounting of fixtures.

Optical System

The optical lens assembly consists of acrylic extrusion profiles holding a layer of MesoOptics which efficiently controls high angle glare. The reflector system comprises Miro Silver reflectors optimized to work with MesoOptics to simultaneously homogenize light while creating a batwing distribution in the lower hemisphere.

Weight

Maximum 3.5lb/ft

Mounting

Mounting brackets on side of housing supports t-bar installation. 1/16" diameter aircraft cable with self-locking, tamper-resistant, miniature cable gripper provides vertical adjustment for drywall. Aircraft cable, crimp and cable gripper independently tested to meet stringent safety requirements.

Electrical

Factory pre-wired to section ends with quick-wire connectors.

Ballast

Electronic. Supplied with factory pre-installed ballast disconnects as per electrical codes.

Approvals

Certified to UL, IES & CSA Standards.

Finish

Extruded aluminum trim and die-cast endplates coated with electrostatically applied and thermally cured polyester powder coat paint finish. Other custom colors are available; consult factory for details.

Environment

Rated for dry or damp locations in operating ambient temperatures of 0-40°C (32-104°F).

