

# TruGroove

Linear Recessed - Continuous

Direct Symmetric - Standard/Slot T-Grid

I T5HO



Project Name

Spec Type

Notes

## Order Guide

For run lengths < 8ft. please consult the Standalone Specification Sheets.

39CI	H	I0	Q	S	I	ft.	in.			
Product Type & Size 39CI TruGroove Continuous Symmetric	Light Source H T5HO	Lamps I0 1 Lamp	Optics Q Flush MesoOptics Lens	Housing S Standard	Ceiling/Trim I Standard/Slot T-Grid	Run Length Specify length in feet and inches.  Consult factory to specify 1/8" increments.	Wiring 1 1 cct 2 2 cct 3 1 cct w/emergency 5 1 cct w/battery pack 7 1 cct dimming  Consult website for complete list of standard wiring options	Voltage 1 120V 2 277V 3 347V	Ballast E Program Start F Fusing	

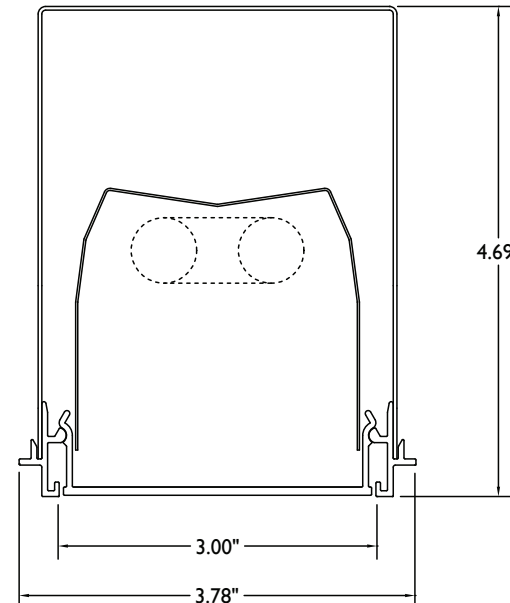
## Options

Philips Ledalite will use a combination of 2', 3', and 4' lamps to achieve the exact/on-grid run length specified. Please check the following if 2' and 3' lamps are not preferred in the run.

4' LAMPS ONLY - Closest run length using 4' lamps only (no 2' & 3' lamps)

Please check the following if you would like your lamps supplied.

Lamps Supplied (not installed)



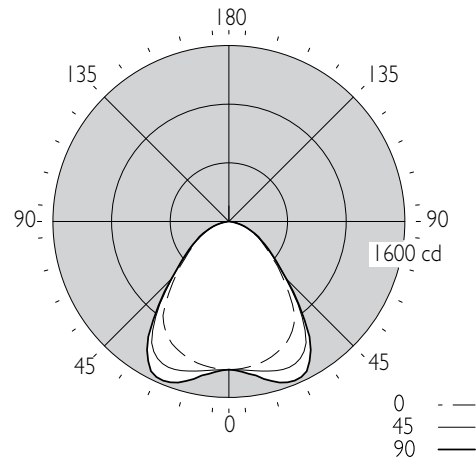
Note: Some combinations of product options may not be available.



## Photometry Flush MesoOptics Lens

### Report Summary

**Efficiency** 73.3% **Report No.** 9902695 **Filename** 39SIH10Qxx04  
**Efficacy** 61.1 lm/W **Ballast Factor** 1 **Testing Voltage** 120V  
**Total Lumens** 3297 lm



0.0% Up / 100.0% Down

### Candela Distribution

Vertical Angle	Horizontal Angle					Zonal Lumens
	0	22.5	45	67.5	90	
0	1347	1347	1347	1347	1347	
5	1342	1345	1355	1362	1372	130
15	1305	1337	1408	1462	1501	398
25	1226	1301	1427	1532	1560	648
35	1045	1134	1208	1308	1278	740
45	671	726	735	797	740	577
55	407	439	429	455	440	394
65	245	262	254	267	261	258
75	116	120	117	123	115	127
85	14	19	15	19	16	24
90	0	0	0	0	0	0
95	0	0	0	0	0	0
105	0	0	0	0	0	0
115	0	0	0	0	0	0
125	0	0	0	0	0	0
135	0	0	0	0	0	0
145	0	0	0	0	0	0
155	0	0	0	0	0	0
165	0	0	0	0	0	0
175	0	0	0	0	0	0
180	0	0	0	0	0	0

### Coefficients of Utilization (%)

RCR	Ceiling: 80				Ceiling: 70				Ceiling: 50				Ceiling: 0			
	70	50	30	10	70	50	30	10	50	30	10	0	50	30	10	0
0	87	87	87	87	85	85	85	85	81	81	81	81	73			
1	81	78	75	73	79	76	74	73	71	69	64					
2	75	69	65	61	73	68	64	65	62	59	55					
3	69	62	57	52	67	61	56	59	54	51	48					
4	63	56	50	45	62	55	49	53	48	44	42					
5	59	50	44	40	57	49	44	48	43	39	37					
6	55	46	40	35	53	45	39	44	39	35	33					
7	51	42	36	32	50	41	35	40	35	31	29					
8	47	38	32	28	46	38	32	37	32	28	27					
9	44	35	30	26	43	35	29	34	29	26	24					
10	42	33	27	23	41	32	27	32	27	23	22					

Based on a floor reflectance of 0.2

IES files for this and other photometric options can be downloaded online at [ledalite.com](http://ledalite.com)

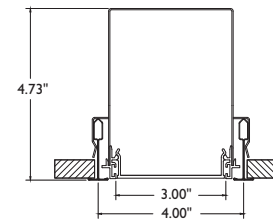
### Avg. Luminance (cd/m<sup>2</sup>)

Vertical Angle	Horizontal Angle		
	0	45	90
55	7797	8219	8430
65	6370	6604	6786
75	4925	4967	4883
85	1765	1891	2017

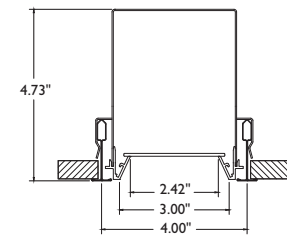
## Dimensions & Details

### T-GRID

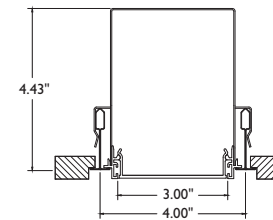
Compatible with TechZone™ 4" Ceiling Grid



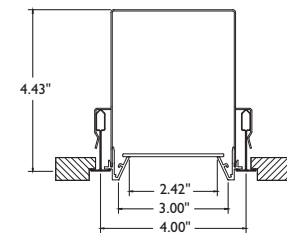
Flush Lens, Standard Grid 9/16" and Standard Grid 15/16"



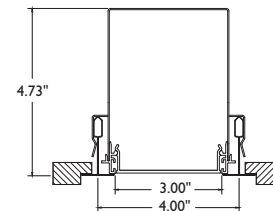
Regressed Lens, Standard Grid 9/16" and Standard Grid 15/16"



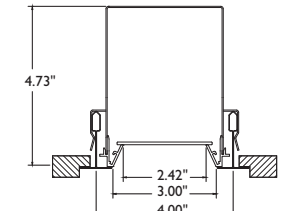
Flush Lens, Tegular 9/16"



Regressed Lens, Tegular 9/16"



Flush Lens, Tegular 15/16"

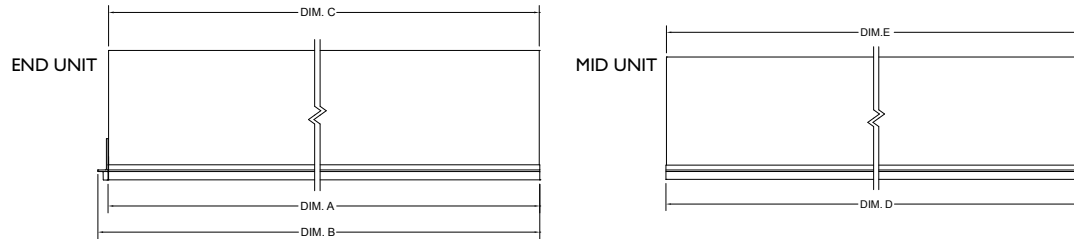


Regressed Lens, Tegular 15/16"

Note: TruGroove is designed for installation on main T's with 1 1/2" and 1 1/16" T-Bar height and 3/16" Tegular.

## Dimensions & Details

### SIDEVIEWS



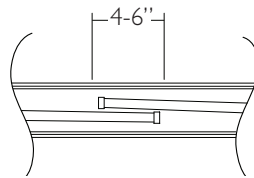
NOMINAL LENGTH	END MODULES			MID MODULES	
	DIM. A	DIM. B	DIM. C	DIM. D	DIM. E
	LUMINAIRE APERTURE	OVERALL TRIM	OVERALL HOUSING	LUMINAIRE APERTURE	OVERALL HOUSING
3 FT	31.85" / 809mm	32.23" / 819mm	31.81" / 808mm	29.32" / 745mm	29.28" / 744mm
4 FT	43.67" / 1109mm	44.04" / 1119mm	43.63" / 1108mm	41.13" / 1045mm	41.09" / 1044mm
8 FT	84.75" / 2153mm	85.13" / 2162mm	84.71" / 2152mm	82.21" / 2088mm	82.18" / 2087mm

### CONTINUOUS RUN LENGTHS

All continuous run lengths are made up of a number of mid-units and two end units, with two mounting points on each unit. Layout drawings will be provided for all continuous run orders.

#### Optimum Overlap Design

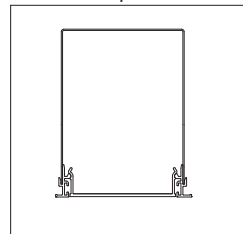
Lamps are spaced with 4" to 6" overlap to ensure consistent uniformity and eliminate socket shadows.



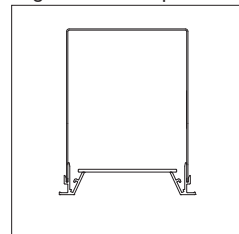
### MesoOptics LENS OPTIONS

Two lens options are available with most TruGroove configurations— a Flush or a Regressed MesoOptics acrylic lens. In continuous run lengths, lenses are pre-cut to maximum 8ft. increments.

#### Flush MesoOptics Lens



#### Regressed MesoOptics Lens



Not available in asymmetric configurations

## Specifications

Due to continuing product improvements, Philips Ledalite reserves the right to change specifications without notice.

### Housing

Die-formed 20 gauge cold rolled steel with aluminum trim. Multiple wire entrances are available on top to allow continuous row mounting of fixtures.

### Optical System

The optical lens assembly consists of multiple acrylic extrusion profiles holding a layer of MesoOptics which efficiently controls high angle glare. The reflector system comprises Miro Silver reflectors optimized to work with MesoOptics to simultaneously homogenize light while creating a batwing distribution in the lower hemisphere.

### Weight

Maximum 3.5lb/ft

### Mounting

Mounting brackets on side of housing supports t-bar installation. 1/16" diameter aircraft cable with self-locking, tamper-resistant, miniature cable gripper provides vertical adjustment for drywall. Aircraft cable, crimp and cable gripper independently tested to meet stringent safety requirements.

### Electrical

Factory pre-wired to section ends with quick-wire connectors.

### Ballast

Electronic. Supplied with factory pre-installed ballast disconnects as per electrical codes.

### Approvals

Certified to UL, IES & CSA Standards.

### Finish

Extruded aluminum trim and die-cast endplates coated with electrostatically applied and thermally cured polyester powder coat paint finish. Other custom colors are available; consult factory for details.

### Environment

Rated for dry or damp locations in operating ambient temperatures of 0-40°C (32-104°F).

