

TruGroove

Linear Recessed - Continuous
 Direct Symmetric - Drywall Trim
 I T5



Project Name

Spec Type

Notes

Order Guide For run lengths < 8ft. please consult the Standalone Specification Sheets.

39CI	F	I0	R	S	4	<input type="text"/> ft. <input type="text"/> in. <input type="text"/>	<input type="text"/>	<input type="text"/>	
Product Type & Size 39CI TruGroove Continuous Symmetric	Light Source F T5	Lamps I0 1 Lamp	Optics R Regressed MesoOptics Lens	Housing S Standard	Ceiling/Trim 4 Drywall Trim	Run Length Specify length in feet and inches. Consult factory to specify 1/8" increments.	Wiring 1 1 cct 2 2 cct 3 1 cct w/emergency 5 1 cct w/battery pack 7 1 cct dimming Consult website for complete list of standard wiring options	Voltage 1 120V 2 277V 3 347V	Ballast E Program Start F Fusing

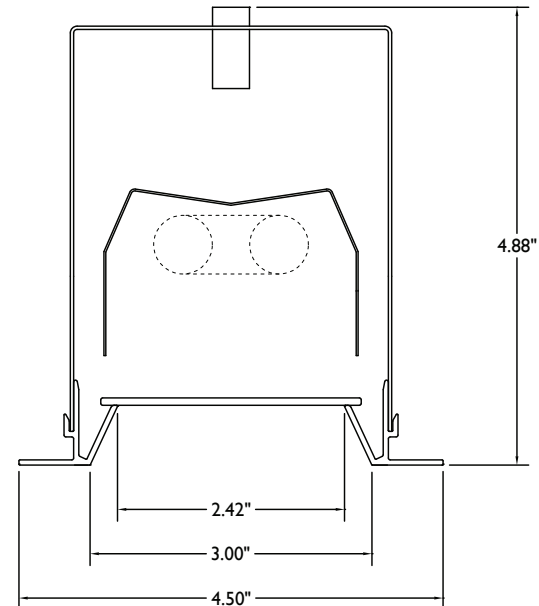
Options

Philips Ledalite will use a combination of 2', 3', and 4' lamps to achieve the exact/on-grid run length specified. Please check the following if 2' and 3' lamps are not preferred in the run.

4' LAMPS ONLY - Closest run length using 4' lamps only (no 2' & 3' lamps)

Please check the following if you would like your lamps supplied.

Lamps Supplied (not installed)



Note: Some combinations of product options may not be available.



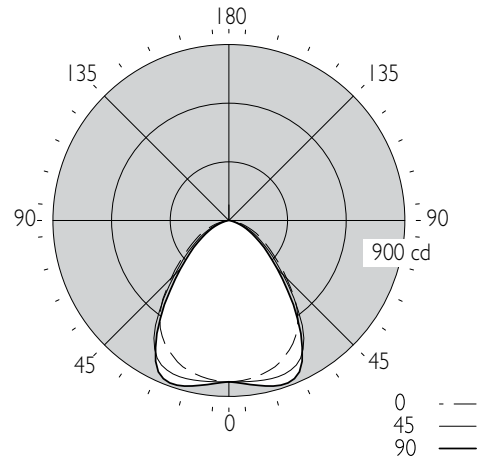
Photometry Regressed MesoOptics Lens

Report Summary

Efficiency 68.7%
Efficacy 59.7 lm/W
Total Lumens 1785 lm

Report No. 9902691
Ballast Factor 1

Filename 39SIF10Rx04
Testing Voltage 120V



0.0% Up / 100.0% Down

Candela Distribution

Vertical Angle	Horizontal Angle					Zonal Lumens
	0	22.5	45	67.5	90	
0	825	825	825	825	825	
5	821	824	828	832	837	79
15	794	809	838	865	877	237
25	731	769	816	855	854	370
35	615	647	655	656	611	397
45	417	427	392	379	350	308
55	255	263	224	210	192	208
65	154	149	118	108	96	124
75	69	63	43	35	28	51
85	12	9	6	7	6	10
90	0	0	0	0	0	0
95	0	0	0	0	0	0
105	0	0	0	0	0	0
115	0	0	0	0	0	0
125	0	0	0	0	0	0
135	0	0	0	0	0	0
145	0	0	0	0	0	0
155	0	0	0	0	0	0
165	0	0	0	0	0	0
175	0	0	0	0	0	0
180	0	0	0	0	0	0

Coefficients of Utilization (%)

RCR	Ceiling: 80				70				50				0
	70	50	30	10	70	50	30	10	50	30	10	0	
0	82	82	82	82	80	80	80	76	76	76	69	69	
1	76	73	71	69	74	72	70	69	67	66	60	60	
2	70	66	62	58	69	64	61	62	59	56	53	53	
3	65	59	54	50	63	58	53	56	52	49	46	46	
4	60	53	48	44	59	52	47	51	46	43	40	40	
5	56	48	43	39	55	47	42	46	41	38	36	36	
6	52	44	38	34	51	43	38	42	37	34	32	32	
7	48	40	35	31	47	40	34	39	34	30	29	29	
8	45	37	31	28	44	36	31	36	31	28	26	26	
9	42	34	29	25	42	34	29	33	28	25	24	24	
10	40	32	27	23	39	31	26	31	26	23	22	22	

Based on a floor reflectance of 0.2

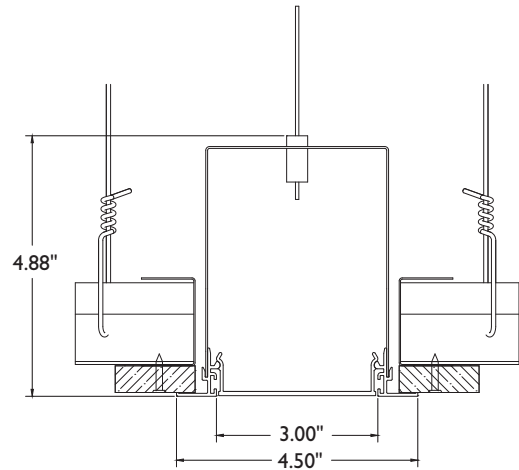
IES files for this and other photometric options can be downloaded online at ledalite.com

Avg. Luminance (cd/m²)

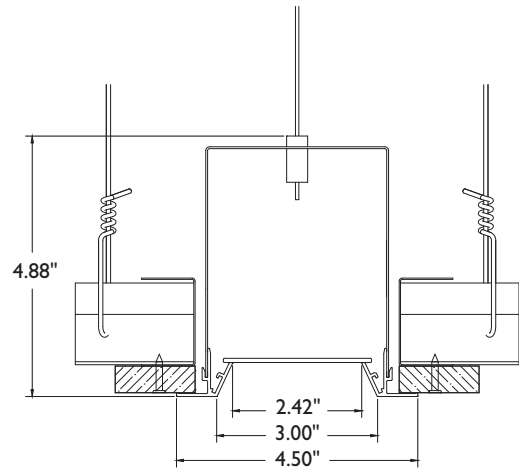
Vertical Angle	Horizontal Angle		
	0	45	90
55	4885	4291	3678
65	4004	3068	2496
75	2930	1826	1189
85	1513	756	756

Dimensions & Details

DRYWALL TRIM



Flush Lens, Trim



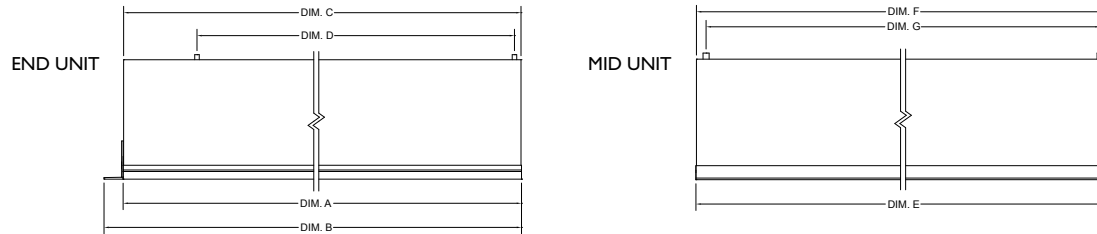
Regressed Lens, Trim

TruGroove

Linear Recessed - Continuous • Direct Symmetric - Drywall Trim • I T5

Dimensions & Details

SIDEVIEWS



NOTE: When specifying run length, refer to Luminaire Aperture, (DIM. A)

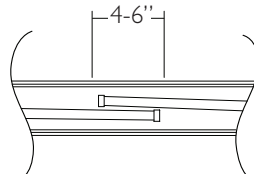
NOMINAL LENGTH	END MODULES				MID MODULES		
	DIM. A LUMINAIRE APERTURE	DIM. B OVERALL TRIM	DIM. C OVERALL HOUSING	DIM. D MOUNTING DIMENSIONS	DIM. E LUMINAIRE APERTURE	DIM. F OVERALL HOUSING	DIM. G MOUNTING DIMENSIONS
3 FT	31.85" / 809mm	32.60" / 828mm	31.81" / 808mm	28.53" / 725mm	29.31" / 745mm	29.28" / 744mm	28.53" / 725mm
4 FT	43.67" / 1109mm	44.41" / 1128mm	43.63" / 1108mm	40.34" / 1025mm	41.13" / 1045mm	41.09" / 1044mm	40.34" / 1025mm
8 FT	84.75" / 2153mm	85.50" / 2172mm	84.71" / 2152mm	81.43" / 2068mm	82.21" / 2088mm	82.17" / 2087mm	81.43" / 2068mm

CONTINUOUS RUN LENGTHS

All continuous run lengths are made up of a number of mid-units and two end units, with two mounting points on each unit. Layout drawings will be provided for all continuous run orders.

Optimum Overlap Design

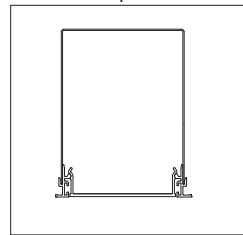
Lamps are spaced with 4" to 6" overlap to ensure consistent uniformity and eliminate socket shadows.



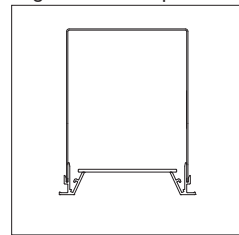
MesoOptics LENS OPTIONS

Two lens options are available with most TruGroove configurations— a Flush or a Regressed MesoOptics acrylic lens. In continuous run lengths, lenses are pre-cut to maximum 8ft. increments.

Flush MesoOptics Lens



Regressed MesoOptics Lens



Not available in asymmetric configurations

Specifications

Due to continuing product improvements, Philips Ledalite reserves the right to change specifications without notice.

Housing

Die-formed 20 gauge cold rolled steel with aluminum trim. Multiple wire entrances are available on top to allow continuous row mounting of fixtures.

Optical System

The optical lens assembly consists of multiple acrylic extrusion profiles holding a layer of MesoOptics which efficiently controls high angle glare. The reflector system comprises Miro Silver reflectors optimized to work with MesoOptics to simultaneously homogenize light while creating a batwing distribution in the lower hemisphere.

Weight

Maximum 3.5lb/ft

Mounting

Mounting brackets on side of housing supports t-bar installation. 1/16" diameter aircraft cable with self-locking, tamper-resistant, miniature cable gripper provides vertical adjustment for drywall. Aircraft cable, crimp and cable gripper independently tested to meet stringent safety requirements.

Electrical

Factory pre-wired to section ends with quick-wire connectors.

Ballast

Electronic. Supplied with factory pre-installed ballast disconnects as per electrical codes.

Approvals

Certified to UL, IES & CSA Standards.

Finish

Extruded aluminum trim and die-cast endplates coated with electrostatically applied and thermally cured polyester powder coat paint finish. Other custom colors are available; consult factory for details.

Environment

Rated for dry or damp locations in operating ambient temperatures of 0-40°C (32-104°F).

