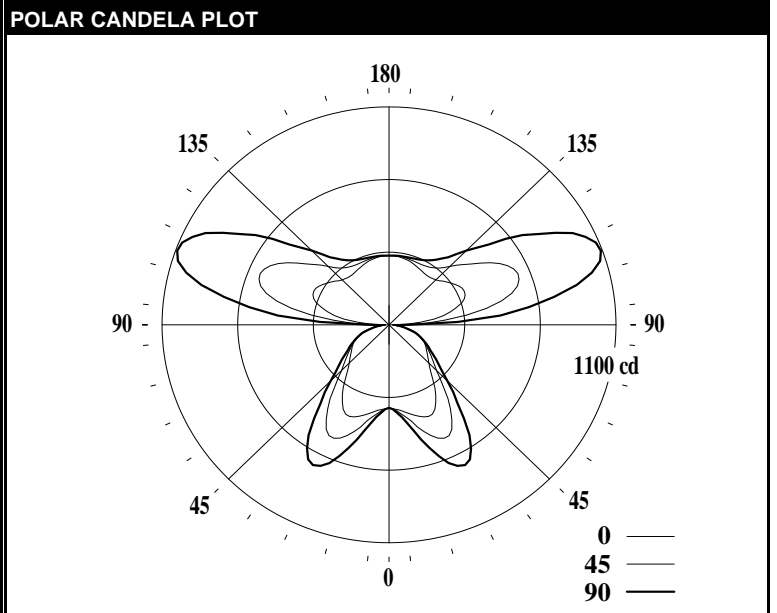


# LEDALITE - EYELINE

<b>TEST DATE:</b>	07 Jan 2019	<b>CATALOG NO:</b>	ELxSL83548QN04D
<b>Lamp Type:</b>	LED	<b>Description:</b>	EYELINE SUSPENDED STD 4800LM 835
<b>No. of Lamps:</b>	2		
<b>Rated Lamp Lumens:</b>	-1	<b>Flux (lm), Efficiency (%):</b>	4624 lm 100.0%
<b>Input Watts:</b>	120 VAC 35.7	<b>Up/Dn Ratio, Efficacy (lm/W):</b>	65% Up / 35% Dn 129.5
<b>CIE-IES Classification:</b>	Semi-Indirect	<b>Report (Ele, Col, Photo):</b>	EL27 F39392Color S07006-5

CANDELA DISTRIBUTION						Flux
	0	22.5	45	67.5	90	Lumens
0	419	419	419	419	419	
5	429	433	437	450	446	43
15	472	495	535	595	599	155
25	497	531	632	742	786	289
35	387	403	519	599	680	319
45	273	277	325	359	400	255
55	221	220	238	243	260	213
65	184	174	178	173	184	176
75	124	114	115	104	112	118
85	42	32	39	37	44	49
90	21	28	49	80	93	
95	151	146	272	403	541	306
105	338	383	616	851	1018	653
115	402	467	667	942	1051	686
125	367	420	544	740	790	513
135	321	352	417	509	530	334
145	310	322	354	392	402	226
155	322	327	342	359	363	159
165	339	340	346	351	353	98
175	349	349	350	351	351	33
180	350	350	350	350	350	



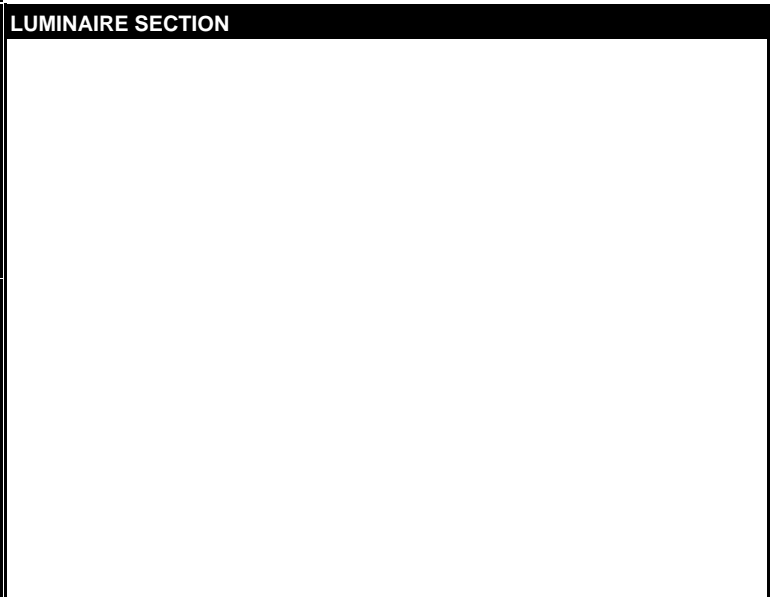
CHARACTERISTICS			
RP1	Meets RP-1-12 recommendations for VDT-Critical spaces		
Direct: Peak Candela & Angle (0deg)	500.4	22.5	
Direct: Peak Candela & Angle (90deg)	798.2	27.5	
Spacing Criteria (0deg, 90deg, 180deg)	1.41	1.75	N/A
Indirect: Peak Candela & Angle	1092.6	110.0	
Indirect: Zenith Candela, Peak to Zenith	349.5	3.13	
Luminous Length, Width, Height (ft)	3.9400	0.9400	0.0200
UGR (4H x 8H, 0.25H)		12.3	
Ballast Factor, Multiplication Factor	1.000	0.990	
DesignLights Consortium		Premium	
x, y, CCT, Duv	0.4092	0.3939	3441 0.0005
CRI (Ra), R9		82	10
120V: P(W), I(A), THD(%), PF	35.7	0.299	6.2 0.997
277V: P(W), I(A), THD(%), PF	35.3	0.131	11.8 0.968
347V: P(W), I(A), THD(%), PF	34.9	0.103	10.0 0.976

COEFFICIENTS OF UTILIZATION (%)													
Pc---	80				70				50				0
Pw---	70	50	30	10	70	50	30	50	30	10	0	0	
RCR	0	104	104	104	104	94	94	94	75	75	75	35	
	1	94	90	86	83	85	81	78	65	63	61	29	
	2	86	78	72	67	77	71	66	57	54	50	24	
	3	78	69	62	56	70	63	56	50	46	42	21	
	4	72	61	53	47	64	55	49	45	40	36	18	
	5	66	54	46	41	59	49	42	40	35	31	15	
	6	60	49	41	35	54	44	37	36	31	27	14	
	7	56	44	36	31	50	40	33	33	28	24	12	
	8	52	40	32	27	47	36	30	30	25	21	11	
	9	48	36	29	24	43	33	27	27	22	19	10	
	10	45	33	26	21	40	30	24	25	20	17	9	

\*Based on a floor reflectance of 0.2

ZONAL LUMEN SUMMARY			
Zone	Lumens	%Fixture	%Lamp
0-30	487	10.5%	10.5%
0-40	806	17.4%	17.4%
0-60	1273	27.5%	27.5%
0-90	1616	35.0%	35.0%
90-130	2158	46.7%	46.7%
90-150	2718	58.8%	58.8%
90-180	3008	65.0%	65.0%
0-180	4624	100.0%	100.0%

AVG LUMINANCE (cd/m <sup>2</sup> )			
	0	45	90
0	1218	1218	1218
5	1251	1271	1297
15	1416	1600	1790
25	1591	2007	2493
35	1368	1816	2376
45	1117	1312	1609
55	1113	1175	1277
65	1254	1175	1209
75	1361	1209	1159
85	1335	1069	1189



**LEDALITE**

Ledalite  
 19750 - 92A Avenue  
 Langley, BC  
 CANADA V1M 3B2  
 Phone: 604-888-6811  
 Fax: 800-665-5332  
 604-888-2003