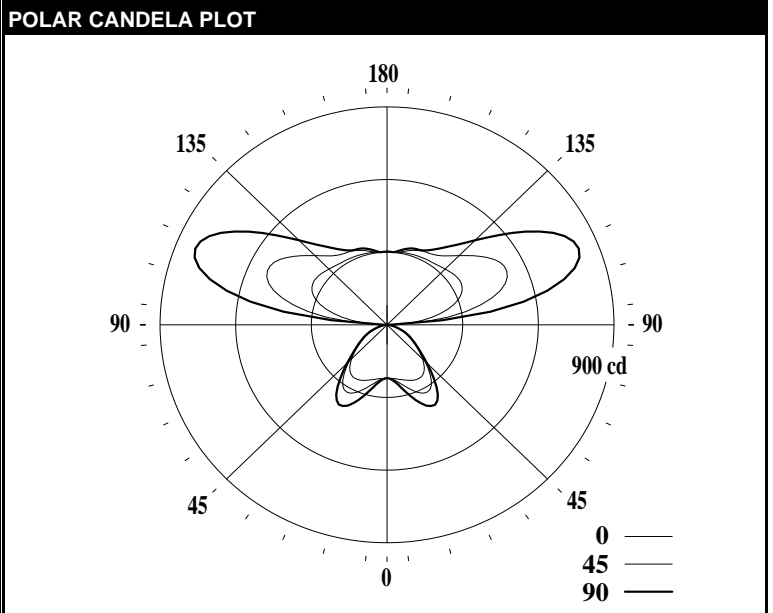


LEDALITE - BOLDPLAY

TEST DATE:	16 Sep 2016	CATALOG NO:	7806LCEQN
Lamp Type:	LED	Description:	BOLDPLAY STD LO 830
No. of Lamps:	176		
Rated Lamp Lumens:	-1	Flux (lm), Efficiency (%):	3271 lm 100.0%
Input Watts:	120 VAC 28.5	Up/Dn Ratio, Efficacy (lm/W):	74% Up / 26% Dn 114.8
CIE-IES Classification:	Semi-Indirect	Report (Ele, Col, Photo):	ITL88342-THD1 ITL88342-SPH ITL88342

CANDELA DISTRIBUTION						Flux
	0	22.5	45	67.5	90	Lumens
0	220	220	220	220	220	
5	222	223	225	227	228	22
15	235	241	260	279	286	75
25	252	266	310	351	368	142
35	249	264	306	339	351	186
45	199	203	213	220	224	164
55	131	130	132	135	138	120
65	78	78	80	83	85	80
75	32	33	34	35	36	37
85	6	7	8	8	8	9
90	0	0	0	0	0	
95	96	111	152	200	222	168
105	250	292	431	628	727	476
115	328	377	524	719	816	537
125	340	375	485	612	671	443
135	326	351	404	468	494	318
145	314	332	350	378	389	223
155	310	317	336	338	339	153
165	306	304	317	324	326	90
175	303	303	301	301	301	29
180	303	303	303	303	303	



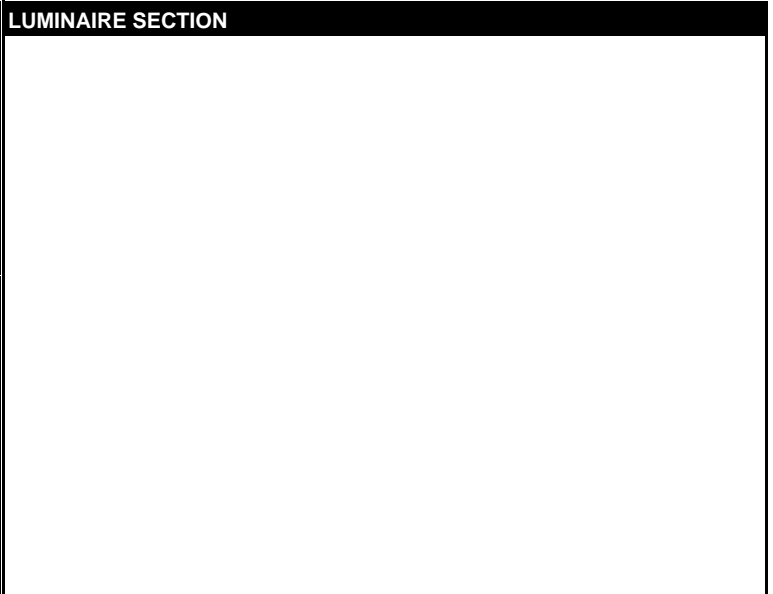
CHARACTERISTICS			
RP1	Meets RP-1-12 recommendations for VDT-Critical spaces		
Direct: Peak Candela & Angle (0deg)	255.0	30.0	
Direct: Peak Candela & Angle (90deg)	381.0	30.0	
Spacing Criteria (0deg, 90deg, 180deg)	1.62	1.79	N/A
Indirect: Peak Candela & Angle	823.0	112.5	
Indirect: Zenith Candela, Peak to Zenith	303.0	2.72	
Luminous Length, Width, Height (ft)	3.8021	0.2917	0.0000
UGR (4H x 8H, 0.25H)	N/A		
Ballast Factor, Multiplication Factor	1.000	1.000	
DesignLights Consortium	N/A		
x, y, CCT, Duv	0.4338	0.4031	3045 0.0000
CRI (Ra), R9	84		10
120V: P(W), I(A), THD(%), PF	28.5	0.239	8.0 0.994
277V: P(W), I(A), THD(%), PF	28.5	0.107	11.6 0.962
347V: P(W), I(A), THD(%), PF	N/A	N/A	N/A N/A

COEFFICIENTS OF UTILIZATION (%)													
Pc---	80				70				50				0
Pw---	70	50	30	10	70	50	30	50	30	10	0	0	
RCR	0	101	101	101	101	90	90	90	70	70	70	26	
	1	93	88	85	81	82	79	76	61	59	57	22	
	2	84	77	72	67	75	69	64	54	51	48	19	
	3	77	68	61	56	68	61	55	47	43	40	16	
	4	70	60	53	47	62	54	47	42	38	34	14	
	5	64	53	46	40	57	48	41	38	33	29	12	
	6	59	48	40	34	53	43	36	34	29	25	10	
	7	55	43	35	30	48	39	32	30	26	22	9	
	8	50	39	31	26	45	35	28	28	23	19	8	
	9	47	35	28	23	42	32	25	25	20	17	7	
	10	44	32	25	20	39	29	23	23	18	15	7	

*Based on a floor reflectance of 0.2

ZONAL LUMEN SUMMARY			
Zone	Lumens	%Fixture	%Lamp
0-30	239	7.3%	7.3%
0-40	425	13.0%	13.0%
0-60	709	21.7%	21.7%
0-90	834	25.5%	25.5%
90-130	1625	49.7%	49.7%
90-150	2166	66.2%	66.2%
90-180	2437	74.5%	74.5%
0-180	3271	100.0%	100.0%

AVG LUMINANCE (cd/m ²)			
	0	45	90
0	2135	2135	2135
5	2162	2192	2221
15	2361	2612	2873
25	2698	3319	3940
35	2949	3625	4158
45	2731	2923	3074
55	2216	2233	2334
65	1791	1837	1952
75	1200	1275	1350
85	668	891	891



LEDALITE

Ledalite
19750 - 92A Avenue
Langley, BC
CANADA V1M 3B2
Phone: 604-888-6811
Fax: 800-665-5332
604-888-2003