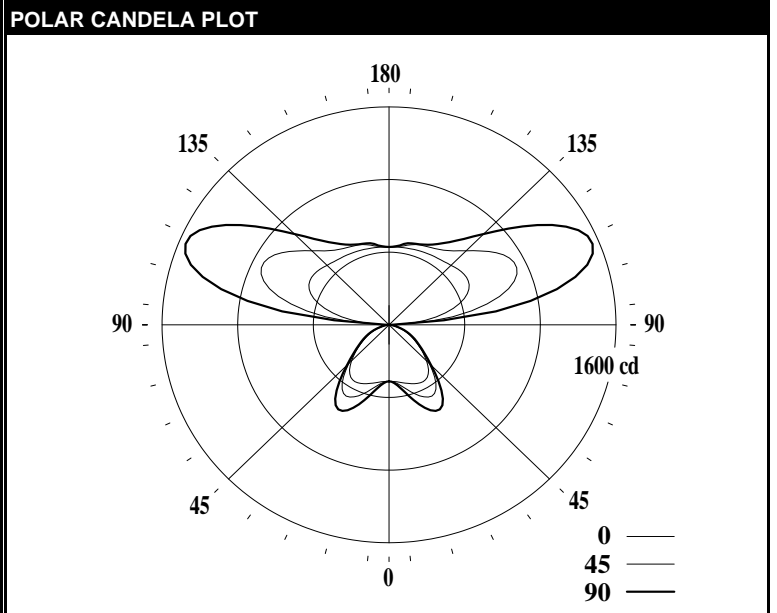


# LEDALITE - VERGE

<b>TEST DATE:</b>	20 Sep 2016	<b>CATALOG NO:</b>	7606LCAQN
<b>Lamp Type:</b>	LED	<b>Description:</b>	VERGE STD HI 830
<b>No. of Lamps:</b>	176		
<b>Rated Lamp Lumens:</b>	-1	<b>Flux (lm), Efficiency (%):</b>	6180 lm 100.0%
<b>Input Watts:</b>	120 VAC 56.9	<b>Up/Dn Ratio, Efficacy (lm/W):</b>	75% Up / 25% Dn 108.6
<b>CIE-IES Classification:</b>	Semi-Indirect	<b>Report (Ele, Col, Photo):</b>	ITL88344-THD1 ITL88342-SPH ITL88344

CANDELA DISTRIBUTION						Flux
	0	22.5	45	67.5	90	Lumens
0	415	415	415	415	415	
5	418	420	424	428	430	41
15	443	455	491	526	540	141
25	474	501	583	661	692	268
35	470	499	576	639	662	351
45	374	382	403	416	420	309
55	247	244	247	255	260	226
65	147	146	150	156	160	150
75	60	61	64	67	67	69
85	10	12	13	14	14	16
90	0	0	0	0	0	
95	176	202	279	347	388	307
105	469	550	807	1178	1360	892
115	621	715	993	1361	1545	1017
125	646	717	923	1162	1277	843
135	618	668	769	892	943	606
145	597	632	669	721	741	425
155	587	612	634	645	649	291
165	578	587	609	620	619	171
175	573	575	576	579	580	55
180	572	572	572	572		



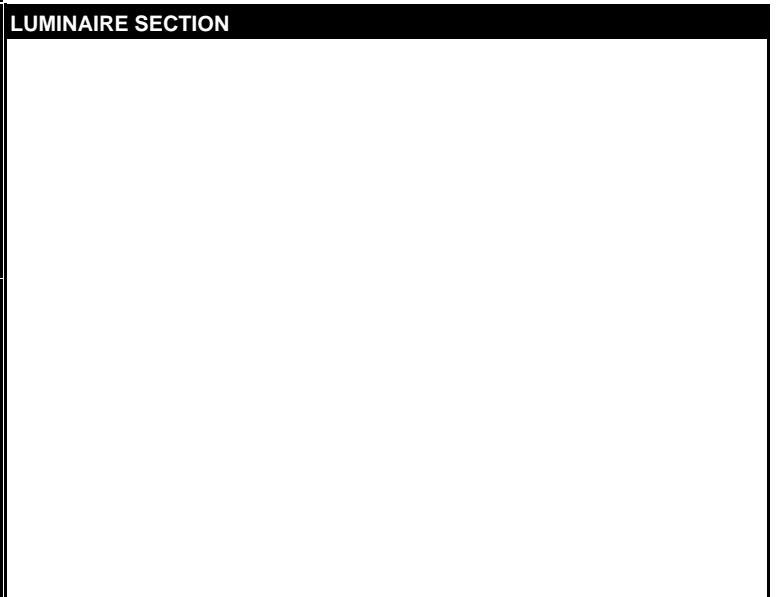
CHARACTERISTICS			
RP1	Meets RP-1-12 recommendations for VDT-Critical spaces		
Direct: Peak Candela & Angle (0deg)	481.0	30.0	
Direct: Peak Candela & Angle (90deg)	717.0	30.0	
Spacing Criteria (0deg, 90deg, 180deg)	1.62	1.79	N/A
Indirect: Peak Candela & Angle	1553.0	112.5	
Indirect: Zenith Candela, Peak to Zenith	572.0	2.72	
Luminous Length, Width, Height (ft)	3.8021	0.2917	0.0000
UGR (4H x 8H, 0.25H)		N/A	
Ballast Factor, Multiplication Factor	1.000	1.000	
DesignLights Consortium		N/A	
x, y, CCT, Duv	0.4338	0.4031	3045 0.0000
CRI (Ra), R9		84	10
120V: P(W), I(A), THD(%), PF	56.9	0.477	9.4 0.995
277V: P(W), I(A), THD(%), PF	56.4	0.206	10.2 0.987
347V: P(W), I(A), THD(%), PF	N/A	N/A	N/A N/A

COEFFICIENTS OF UTILIZATION (%)													
Pc---	80				70				50				0
Pw---	70	50	30	10	70	50	30	50	30	10	0	0	
RCR	0	101	101	101	101	90	90	90	70	70	70	25	
	1	92	88	85	81	82	79	76	61	59	57	22	
	2	84	77	72	67	75	69	64	54	50	48	19	
	3	77	68	61	56	68	61	55	47	43	40	16	
	4	70	60	53	47	62	54	47	42	38	34	14	
	5	64	53	46	40	57	48	41	38	33	29	12	
	6	59	48	40	34	53	43	36	34	29	25	10	
	7	55	43	35	30	48	39	32	30	26	22	9	
	8	50	39	31	26	45	35	28	28	23	19	8	
	9	47	35	28	23	42	32	25	25	20	17	7	
	10	44	32	25	20	39	29	23	23	18	15	7	

\*Based on a floor reflectance of 0.2

ZONAL LUMEN SUMMARY			
Zone	Lumens	%Fixture	%Lamp
0-30	450	7.3%	7.3%
0-40	802	13.0%	13.0%
0-60	1336	21.6%	21.6%
0-90	1571	25.4%	25.4%
90-130	3059	49.5%	49.5%
90-150	4091	66.2%	66.2%
90-180	4608	74.6%	74.6%
0-180	6180	100.0%	100.0%

AVG LUMINANCE (cd/m <sup>2</sup> )			
	0	45	90
0	4027	4027	4027
5	4071	4130	4188
15	4450	4932	5424
25	5075	6242	7409
35	5567	6823	7841
45	5132	5530	5763
55	4178	4178	4398
65	3375	3444	3673
75	2249	2399	2512
85	1113	1447	1559



**LEDALITE**

Ledalite  
19750 - 92A Avenue  
Langley, BC  
CANADA V1M 3B2  
Phone: 604-888-6811  
Fax: 800-665-5332  
604-888-2003